

**OpenLX Technologies P. Ltd. &
Beegees Computers P. Ltd.**

Product/Services Presentation



Library Information System (LMS)

We provide KOHA - world's best LMS
as a comprehensive-integrated Solution



Open Source
Integrated Library Management System



Radio Frequency Identification (RFID)

We represent world's most experienced
RFID company in India.

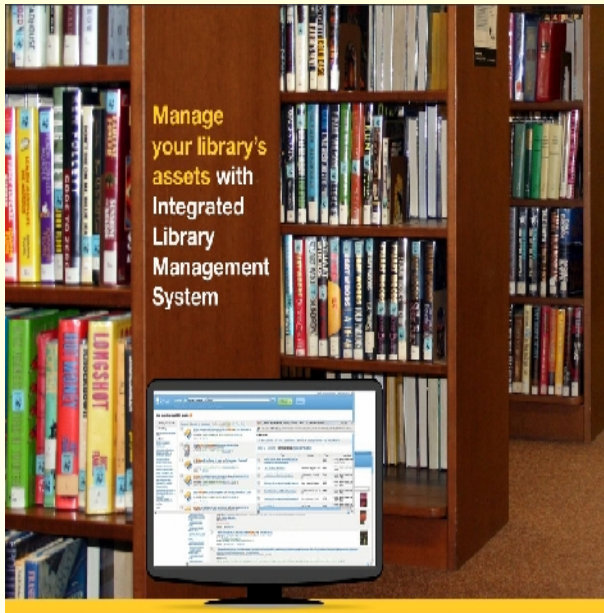




Open Source
Integrated Library Management System

Simply the best LMS

OPEN-SOURCE, OPEN- STANDARDS INTEGRATED LIBRARY MANAGEMENT SYSTEM



Koha is a Full-featured truly enterprise-class platform-independent, Award winning, Open-Source Integrated Library Management System (ILMS) under GPL V2 (no license fee, ever). A complete modern Web-based, Multilingual OPAC system, KOHA comes with comprehensive functionality with advanced options.

Being used worldwide in libraries of all sizes, its development is steered by a growing community of users collaborating to achieve their technology goals.



Open Source
Integrated Library Management System

Simply the best LMS

KOHA'S MODULES

CIRCULATION

SERIALS

CATALOGING

**AUTHORITIES
CONTROL**

RESERVES

**BRANCH
RELATION-
SHIPS**

ACQUISITIONS

**PATRON
MANAGE-
MENT**

REPORTS

SEARCH

**OPAC
(WEB / CLOUD)**

**ADMINIS-
TRATION**





Open Source
Integrated Library Management System

Simply the best LMS

MARC MANAGEMENT TOOL

KOHA's MARC support is rich, encompassing both MARC21 and UNIMARC, Combined with MARC edition and management tools, cataloging staff can easily and efficiently manage a library's collection of MARC records.

These tools include :

MARC frameworks to support monographs, serials etc.

MARC authorities control

Serials management

Support for LOC, Dewey or any other classification





Open Source
Integrated Library Management System

Simply the best LMS

KOHA SUPPORTS

Enhanced catalog display using content from Amazon, Google, LibraryThing, Open Library, Syndetics

MARC Import/Exports and other format

Can be integrated with your website

Downloading MARC/UNIMARC records via z39.50 searches

MARC21 and UNIMARC for professional catalogers

Flexible reporting

Manage A/V holdings, e-books, DVDs, Library-specific holdings types

Manage online and off line resources with the same tool

RSS feed of new acquisition





Open Source
Integrated Library Management System

Simply the best LMS

KOHA SUPPORTS

Fine Management

Virtual Book Shelf

Customizable for any
UTF-8
Compatible language

Automated email
overdue notices

Library Standards &
Protocols Compliant,
while supporting existing
work flows and tools

No Vendor Lock-in

Powerful ZEBRA Search
Engine offers:

- * Innovative simple search
- * Comprehensive advance search

Patron empowerment ·

- *to manage their accounts
- *to manage their accounts
- *email, print, reserve from the Book Bag
- *Convenience and privacy

Online reservations of
library resources
and Renewal of
loaned items





Open Source
Integrated Library Management System

Simply the best LMS

KOHA SUPPORTS

Print your own Bar-code,
Spine labels,
ID-Cards,
Overdue notices, etc.

Flexibility to customize
according to
your library needs

Branch Libraries
Management
and Items transfers

Mature support for
standards such as
MARC 21,
UNIMARC, z39.50,
SRU/SW, SIP2, SIP/NCIP
and others

Customizable Stop
Words

Budget Management

RFID

Offline working mode

EDI



KOHA being multi-tasking,
enables updates of
circulation, cataloging
and issues
to occur simultaneously





Simply the best LMS

KOHA ON PRIVATE CLOUD

KOHA can be installed on a central server

And host multiple libraries on it.

Thus, you can have your Central Library,
hosting all your Branches, and all other future Libraries
on same server placed at HQ Data-center

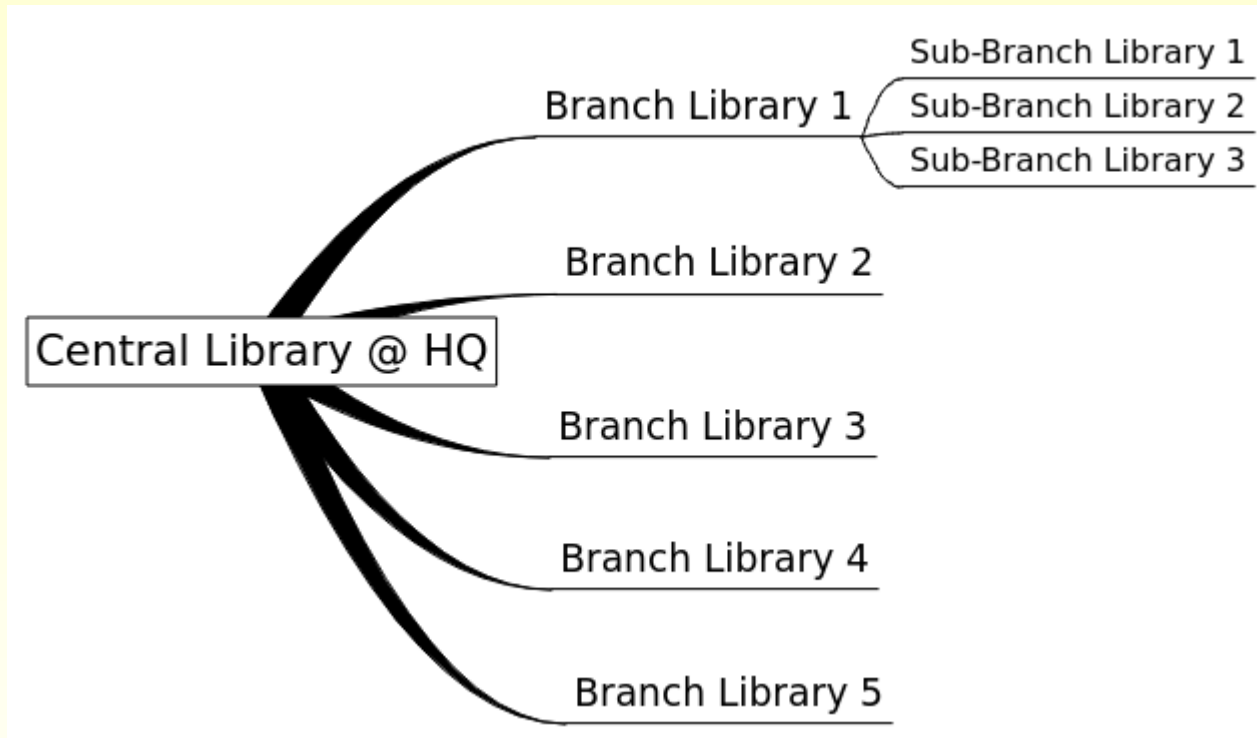
Each One on its Central Server





Open Source
Integrated Library Management System

Simply the best LMS





Open Source
Integrated Library Management System

Simply the best LMS

KOHA ON CLOUD

KOHA on a central server means :

NO

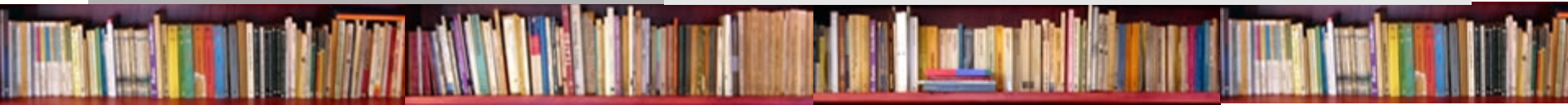
Separate server in each Institution

Air-conditioning for each Institution

Power-backup issues each Institution

Server-maintenance each Institution

Big-bandwidth for each Institution



Simply the best LMS

KOHA ON CLOUD

KOHA on a central server results in :

Start with some libraries

The whole operation can begin by launching the automation and libraries can be added to it at all times, as they get their data uploaded to the server

And go on expanding as per need



RFID

Nedap is the world's biggest implementer of near field communication spanning areas like

- Security Management
- Agriculture
- Retail
- Energy Systems
- Light Controls
- AVI (Automatic Vehicle Identification)
- Health Care

&

LIBRARIES



RFID

Nedap Librix is the only company which is an end to end Manufacturer of all core Hardware & Software required for RFID implementation in Libraries.

This implies that everything we provide you with is always fully integrated. We test everything in-house and make sure everything works when it leaves our premises.

**Our Systems have been installed
over 1200 Libraries worldwide.**



RFID

Easy Products

Have you ever counted the number of screens a user has to go through before he or she has managed to check out a book?

WE HAVE !!!

Our user interface is that intuitive that users do not have to go through more than 3 screens to check out their items.



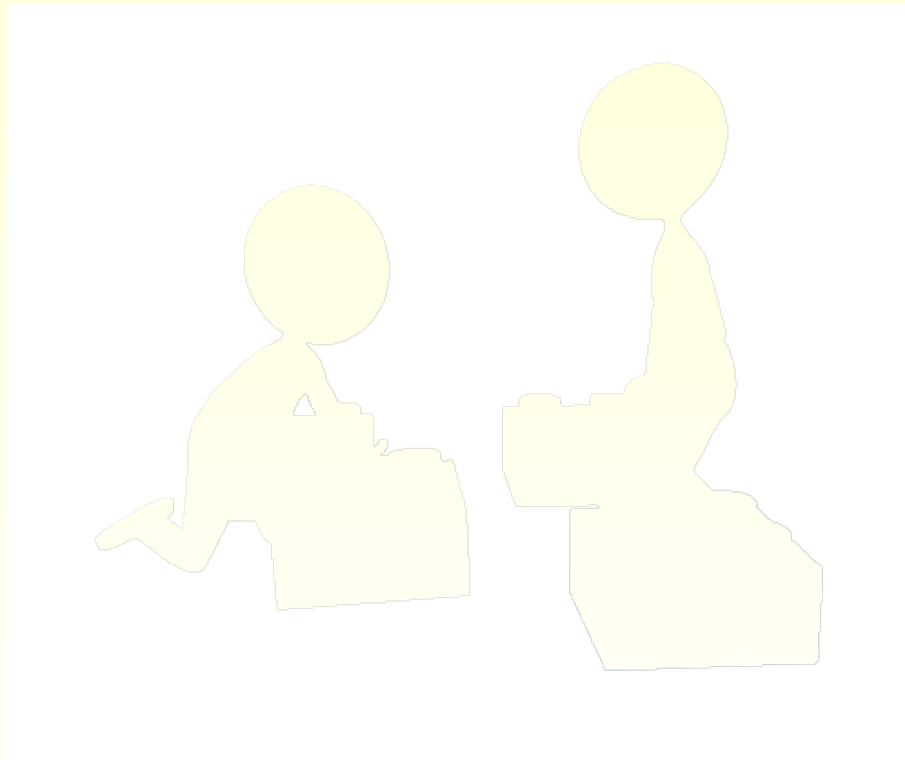
RFID

TOTAL RFID SOLUTION



RFID

- We advocate Building Block method for RFID implementation in Libraries.



RFID

The first step in implementing RFID in a library

All the books and other items should be tagged with RFID labels and requires Staff Station which will be used for tagging and also for issue / return counter.

Tags are available in different sizes and shapes for different types of records like books and CD/DVD



RFID

Staff Station:

You can choose to have :

Table Top

Or

Under the Table



RFID

Having implemented basic RFID in terms of tags and staff station the library will be able to shift to RFID from Barcode.



From here on the library needs to define the needs and can add other RFID equipments as per their requirements.

The library may choose to implement other equipments simultaneously or later on as per their choice.



RFID

For security the library may add gates or antennas.

These gates would detect any not issued material leaving the library with an alarm.

Nedap gates support cc cameras, door locking and customer counters.

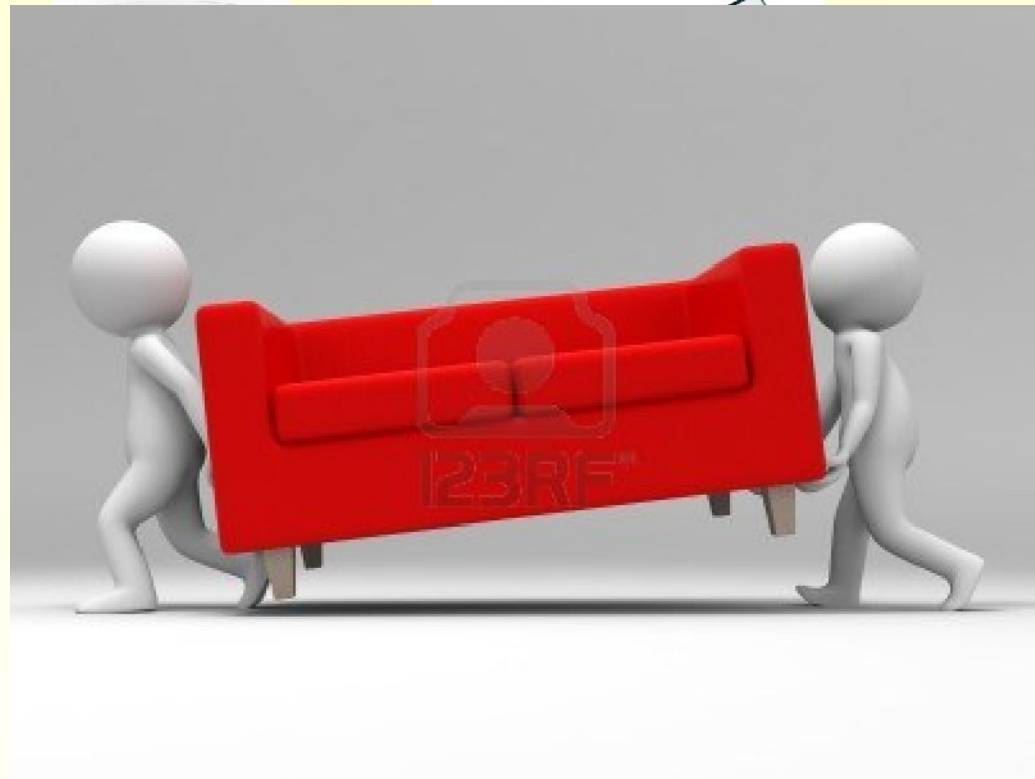


RFID



RFID

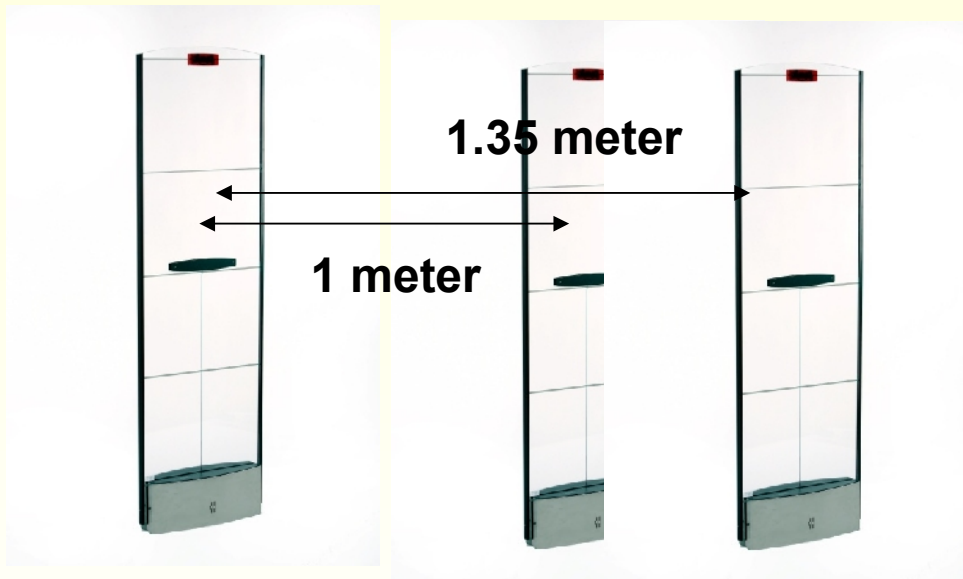
The gates can be ordered with docking station; this means the Library can dismantle the top portion of the gates with a click of a button to allow movement of heavy furniture.



RFID

Two unique features of NEDAP gates:

NEDAP is the only company, which can provide longer aisle width of upto 1.35 meters in a single aisle using PG 50. The normal aisle width is 1 meter.



RFID

The Nedap Hand Held Reader can be used for Three functions

1. Inventory – A library can take the total inventory of its stock using the HH Reader in fraction of time as compared to manual inventory.
2. Searching – The library can use the same HH Reader for searching Mis-Shelved Items.
3. Weeding – The library can use the HH Reader to weed out mis-shelved items from racks.



The HH Reader consists of a built in PDA with a large clear display and a battery per charge life of 30 hours.



RFID

Nedap flex desk for self check in/out by patrons

Some Unique Features.

1. Our self check in/out meets the American standards for use by disables in the Library
2. All our Kiosks use only Industrial PCs for longer trouble free operations
3. The user interface screen is very simple and maximum 3 screens for any transactions



RFID

Nedap offers Drop boxes for both Indoor and Outdoor with multi Bin Book sorting facilities as per the Library Requirement.

1. Our drop boxes come with sensors for trolley full indications
2. All the trolleys supplied with the Drop Boxes are with Spring Board Action. i.e as and when the books are deposited the spring compresses and as and when the books are lifted for shelving the spring decompresses. That means your books never fall and hence they don't damage the bindings. Also while shelving the personnel does not have to bend thereby avoiding RSI.



OUTDOOR



INFOCOLUMN AND INTELLIGENT TROLLEY

1. Especially designed for checking-in items. The trolleys are placed at the entrance of your library. Whenever a lender returns his or her book in the trolley, the item is automatically recognized by intelligent trolley and flagged as checked-in in your Library Management System.
2. Direct link to LMS Through our direct link with your Library Management System, every item that is returned is automatically checked-in. No passes that need to be scanned. Just drop and go.



RFID

Innovative Products

SMALLEST BRANCH

With the Smallest Branch you now can have your own small library on location. Your customers can have access to your books 24/7. With a combined check-in and check-out function, you can offer an independent library at an indoor location of your choice. All you need is a network cable and power outlet. This way you can, in these times of reduced budgets, maintain to have or even extend the library's reach significantly.

Benefits:

- Can be placed in any location
- No staff needed
- Very easy to use
- Low maintenance
- Extends a library's reach significantly





LMS Server with RFID

OpenLX would like to partner with

Your Library Project

KOHA-RFID Server for Library

Linux for all your Desktops and Servers

***to achieve, thro' open-source,
unscaled heights together***





Open Source
Integrated Library Management System

Growing User-base



पावर ग्रिड कारपोरेशन ऑफ इंडिया लिमिटेड
(भारत सरकार का उद्यम)
POWER GRID CORPORATION OF INDIA LIMITED
(A Government of India Enterprise)



Forest Research Institute
P.O. New Forest, Dehradun
वन अनुसंधान संस्थान, देहरादून
पी० ओ० न्यू फॉरेस्ट, देहरादून



महात्मा गांधी अंतरराष्ट्रीय हिंदी विश्वविद्यालय, वर्धा
Mahatma Gandhi Antarrashtriya Hindi Vishwavidyalaya, Wardha

SHIV NADAR UNIVERSITY

OpenLX Clients using KOHA
koha1.OpenLX.com



Open Source
Integrated Library Management System



भारतीय कृषि अनुसंधान संस्थान
Indian Agricultural Research Institute
(An ISO 9001:2008 Certified Institute)



के.के.के. विभाजन प्रवेश कुंभ विश्वविद्यालय, पालमपुर (भारत) 176062
K.K.K. Pradesha Prवेश Kumbh Vishwavidyalaya, Palampur (INDIA) 176062
Chronicle Publication, Noida
Ananya Institute, Delhi
D.I.E.T., Delhi
City College, Hissar
MLB College, Hissar



O.P. Jindal Global University
A Private University Promoting Public Service



INDRAPRASTHA INSTITUTE of
INFORMATION TECHNOLOGY
DELHI



Delhi Public
Library

(A Govt. of India Organisation, Ministry of Culture)

AMITY UNIVERSITY
MADHYA PRADESH
AMITY UNIVERSITY
HARYANA



AMITY
UNIVERSITY
RAJASTHAN



AMITY
UNIVERSITY





Open Source
Integrated Library Management System

Growing User-base

Indian Agriculture Research Institute, New Delhi	National Dairy Research Institute, Karnal
Indian Veterinary Research Institute, Bareilly	CSKHPKV University, Himachal Pradesh
Amity University, Noida (with RFID)	IIIT, Delhi (with RFID)
Mahatma Gandhi Intl. Hindi University, Wardha	Aggarwal College, Ballabgarh
Delhi Public Library, Delhi	Shiv Nadar University, Ghaziabad
Chronicle Publication Pvt. Ltd, Noida	Ananya Institute, Delhi
District Institute of Education & Training, New Delhi	City College, Balsamand Road, Hissar
Maharani Lakshmi Bai College, Hissar	Marwar University, Ghaziabad
Amity University Madhya Pradesh, Gwalior	Amity University Rajasthan, Jaipur
Amity International Business School, Singapore	Amity University Haryana, Manesar
Power Grid Corporation of India Ltd., Gurgaon	Forest Research Institute, Dehradun
3M India, Bangalore	G. B. Pant Engineering College, New Delhi
IIT Mandi (Himachal)	O.P. Jindal Global University, Sonipat
Chennai Mathematical Institute	Fountain Head Education Trust, Surat

THANK YOU

Sudhir Gandotra

OpenLX Technologies P. Ltd.

R-10, 3rd floor, Khirki Extn.,

Malviya Nagar, New Delhi 110017, INDIA.

Tel: +91-93124-65666 / +91-98101-20918

Email: info@openlx.com

InterNet : www.OpenLX.com

